

LevCon™

Liquid Level Indicator / Controller



SJE
Rhombus
CONTROLS

1-888-DIAL-SJE (1-888-342-5753)

www.sjrhombus.com

LEVCON™ CONTROLLER INTRODUCTION

The LevCon™ set point level controller is a self-contained microprocessor controlled system capable of monitoring the level of the wet well and automatically controlling two pumps.



The LevCon™ controller has 10 digital input channels, one 4-20mA analog input channel, 6 relay output channels, a keypad for easy navigation, and 2 line by 16 character LCD display for level, pump status monitoring and operation setup.

LevCon™ functions include:

- Automatic alternation
- Monitoring low level
- Monitoring high level
- Pump run status
- Pump seal failure
- Pump over temperature
- Wet well simulation
- Logging pump run time (for each pump)
- Logging cycles (for each pump)



WARNINGS

Failure to read and understand the information provided in this manual may result in personal injury or death, damage to the product or product failure. Please read each section in its entirety and be sure you understand the information provided in the section and related sections before attempting any of the procedures or operations given.

Failure to follow these precautions could result in serious injury or death. Keep these instructions with warranty after installation. This product must be installed in accordance with National Electrical Code, ANSI/NFPA 70 so as to prevent moisture from entering or accumulating within the controller housing.

WARNING ELECTRICAL SHOCK HAZARD



Disconnect power before installing or servicing this product. A qualified service person must install and service this product according to applicable electrical codes.

- Do not install in area with: excessive or conductive dust, corrosive or flammable gas, moisture or rain, excessive heat, regular impact shocks or excessive vibration.
- Do not place in water or let water leak onto the controller.
- Do not allow debris to fall inside the unit during installation.
- Double-check all the wiring before turning on the power supply.
- Do not touch live wires.
- Stay as far as possible from high-voltage cables and power equipment.
- Leave a minimum of 10 mm space for ventilation between the top and bottom edges of the controller and enclosure walls.

WARNING EXPLOSION OR FIRE HAZARD



Do not use this product with flammable liquids. Do not install in hazardous locations as defined by National Electrical Code, ANSI/NFPA 70.

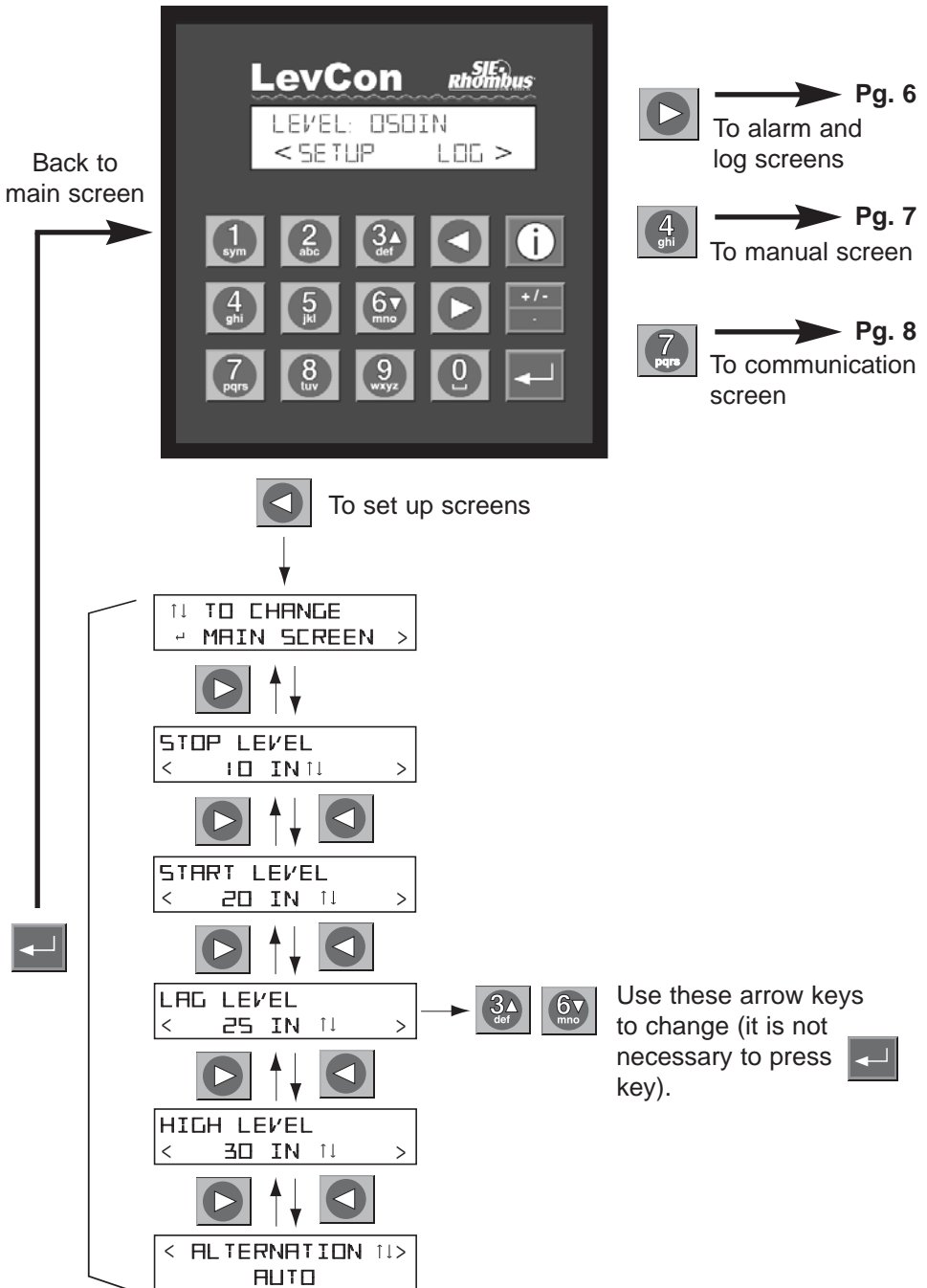
LEVCON™ CONTROLLER QUICK START

The LevCon™ controller main screen:



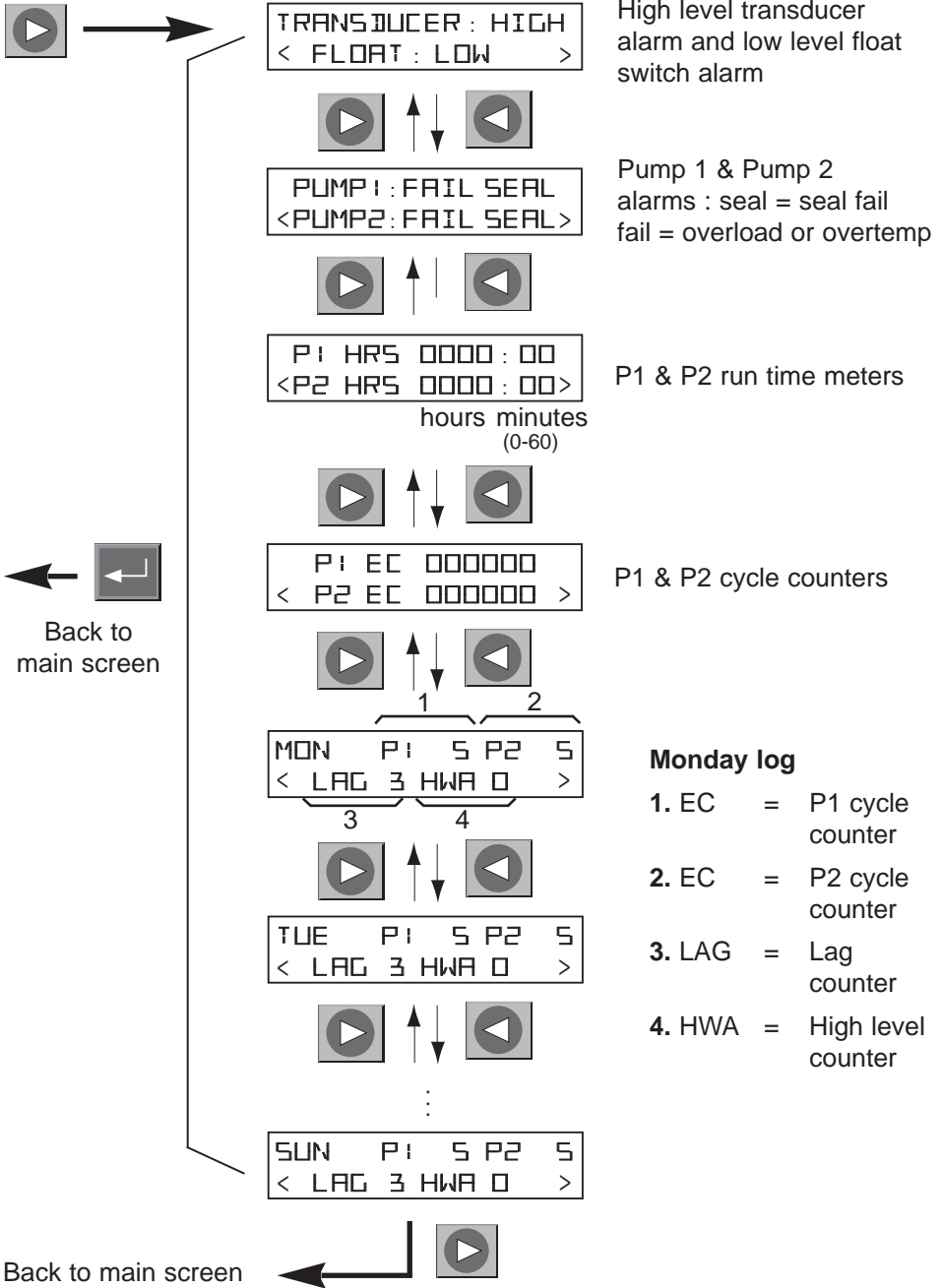
LEVCON™ CONTROLLER NAVIGATION

The LevCon™ controller navigation from the main screen:



LOG SCREENS

The LevCon™ controller navigation from the main screen:



MANUAL OPERATION SCREEN

→ To



Back to main screen



- Run P1



- Stop P1



- Run P2



- Stop P2



- Level simulation increase



- Level simulation decrease

NOTE: The level will automatically return to the actual wet well level after 10 seconds of inactivity or upon exiting the manual screen. If you leave the manual screen, all manual operations will automatically return to their automatic mode. After 90 seconds of inactivity (no buttons pressed on the keypad) the controller will return to the main screen.

COMMUNICATION SCREEN



Back to main screen

COMM	MODEM: DIAL
INITZ	ONLINE

Modem status screen

ONE-YEAR LIMITED WARRANTY

SJE-RHOMBUS CONTROLS® warrants to the original consumer that this product shall be free of manufacturing defects for one year after the date of manufacture. During that time period and subject to the conditions set forth below, SJE-RHOMBUS® will repair or replace, for the original consumer, any component which proves to be defective due to defective materials or workmanship of SJE-RHOMBUS®.

ELECTRICAL WIRING AND SERVICING OF THIS PRODUCT MUST BE PERFORMED BY A LICENSED ELECTRICIAN.

THIS WARRANTY DOES NOT APPLY: (A) to damage due to lightning or conditions beyond the control of SJE-RHOMBUS®; (B) to defects or malfunctions resulting from failure to properly install, operate or maintain the unit; (C) to failures resulting from abuse, misuse, accident, or negligence; (D) to units which are not installed in accordance with applicable local codes, ordinances, or accepted trade practices, and (E) to units repaired and/or modified without prior authorization from SJE-RHOMBUS®.

Some states do not allow limitations on how long an implied warranty lasts, so the above limitation may not apply to you. Some states do not allow the exclusion or limitation of incidental or consequential damages, so the above limitation or exclusion may not apply to you. This warranty gives you specific legal rights, and you may also have other rights which vary from state to state.

TO OBTAIN WARRANTY SERVICE: The consumer shall assume all responsibility and expense for removal, reinstallation and freight of controller deemed defective. Any controller to be repaired or replaced under this warranty must be returned to SJE-RHOMBUS®, or such place as designated by SJE-RHOMBUS®.

ANY IMPLIED WARRANTIES OF MERCHANTABILITY OR FITNESS ARE LIMITED TO THE DURATION OF THIS WRITTEN WARRANTY. SJE-RHOMBUS® SHALL NOT, IN ANY MANNER, BE LIABLE FOR ANY INCIDENTAL OR CONSEQUENTIAL DAMAGES AS A RESULT OF A BREACH OF THIS WRITTEN WARRANTY OR ANY IMPLIED WARRANTY.

Warranty void if back cover of this product is removed. Call factory with servicing questions: **1-800-RHOMBUS** (1-800-746-6287).

SJE-Rhombus® Controls

22650 County Hwy. 6 ■ PO Box 1708 ■ Detroit Lakes, MN 56502 USA

1-888-DIAL-SJE (1-888-342-5753) ■ 218-847-1317 ■ Fax 218-847-4617

www.sjerhombus.com